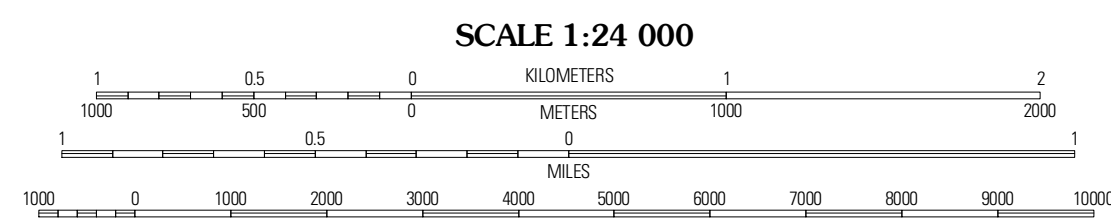
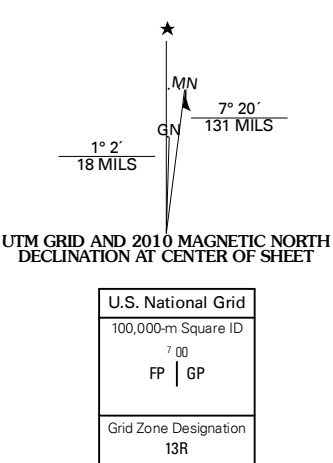




Produced by the United States Geological Survey
North American Datum of 1983 (NAD83)
World Geodetic System of 1984 (WGS84). Projection and
1 000-meter grid: Universal Transverse Mercator, Zone 13R
10 000-foot ticks: Texas Coordinate System of 1983
(south central zone)

Imagery.....NAIP, September 2008
Roads.....US Census Bureau TIGER data
with limited USGS updates, 2006
Names.....GNIS, 2008
Hydrography.....National Hydrography Dataset, 1995
Contours.....National Elevation Dataset, 2006



CONTOUR INTERVAL 20 FEET

This map was produced to conform with version 0.5.10 of the
draft USGS Standards for 7.5-Minute Quadrangle Maps.
A metadata file associated with this product is also draft version 0.5.10



QUADRANGLE LOCATION

Wolf Camp Hills	Diablo Hills	Cap Rock Butte
Lightning Hills	Houstop Mountains	Texas NE
Horse Mountain	Texas	Texas SE

ADJOINING 7.5' QUADRANGLES
TX 30102-223

ROAD CLASSIFICATION

Interstate Route	State Route
US Route	Local Road
Ramp	4WD

HOUSTOP MOUNTAINS, TX
2010