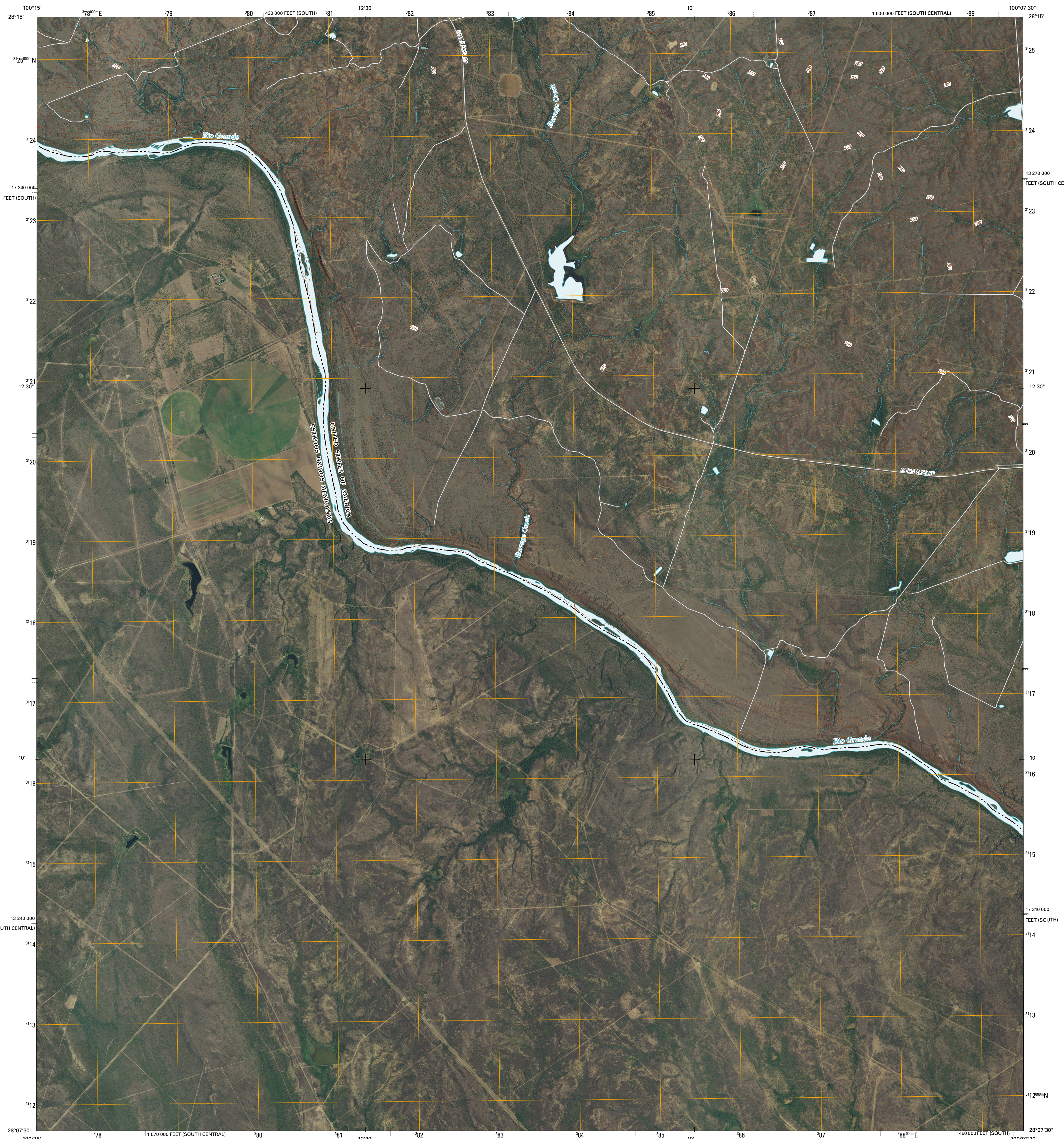




U.S. DEPARTMENT OF THE INTERIOR  
U. S. GEOLOGICAL SURVEY

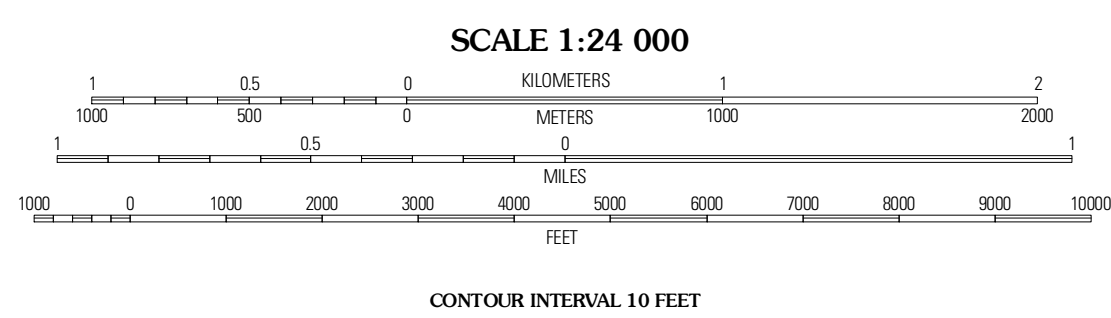
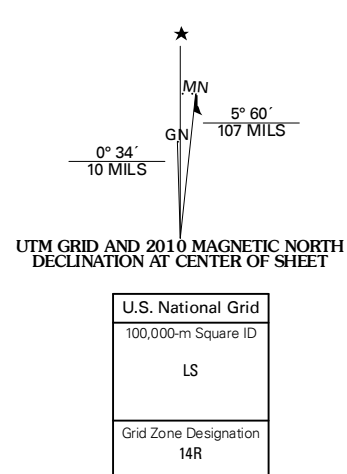


SALT WELL QUADRANGLE  
TEXAS-COAHUILA DE ZARAGOZA  
7.5-MINUTE SERIES



Produced by the United States Geological Survey  
North American Datum of 1983 (NAD83)  
World Geodetic System of 1984 (WGS84). Projection and  
1 000-meter grid: Universal Transverse Mercator, Zone 14R  
10 000-foot ticks: Texas Coordinate System of 1983  
(south central and south zones)

Imagery.....NAIP, April 2008  
Roads.....US Census Bureau TIGER data  
with limited USGS updates, 2006 - 2008  
Names.....GNIS, 2008  
Hydrography.....National Hydrography Dataset, 1995  
Contours.....National Elevation Dataset, 2008



This map was produced to conform with version 0.5.10 of the  
draft USGS Standards for 7.5-Minute Quadrangle Maps.  
A metadata file associated with this product is also draft version 0.5.10



QUADRANGLE LOCATION

Tovar Creek West	Tovar Creek East	San Pedro Creek
West of Salt Well	Salt Well	Chupadera Creek
		Bull Hollow Tank

ADJOINING 7.5 QUADRANGLES  
TX 28100-113

ROAD CLASSIFICATION

Interstate Route	State Route
US Route	Local Road
Ramp	4WD

Interstate Route   
 US Route   
 State Route

SALT WELL, TX-COA  
2010